



GiANT[®]
BY TOBROCO

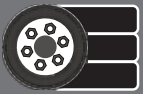
G3500 SERIES

 **COMING SOON**

SPECIFICATIONS



MODEL	G3500	G3500 X-Tra	G3500 TELE
ENGINE	66 hp	66 hp	66 hp
SERVICE WEIGHT	7,720 lbs	7,500 lbs	8,710 lbs
LIFTING HEIGHT	129.6 in.	106.4 in.	169.8 in.
TIPPING LOAD	5,070 lbs	8,600 lbs	See Table
WORKING HYDRAULICS	18.5 GPM	18.5 GPM	18.5 GPM
MAX. SPEED	6.2/18.5 mph	6.2/18.5 mph	6.2/18.5 mph



Less tire wear and ground damage



Enhanced operator comfort through articulation and oscillation



Bridging the gap between skid steer loaders and larger wheel loads



Low noise levels



Higher lift heights and higher tipping loads compared to service weight

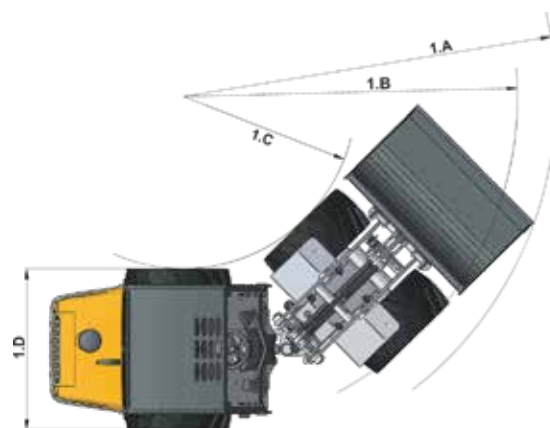
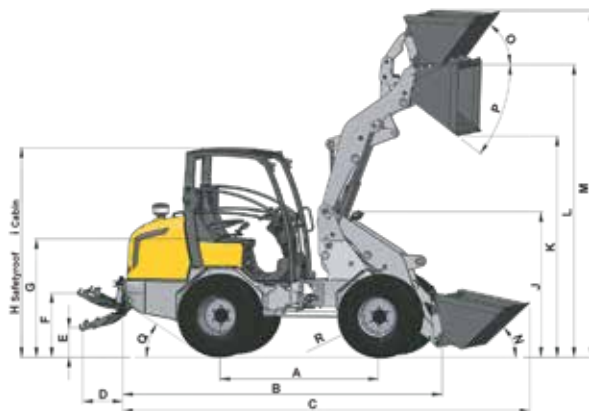


The GiANT G3500 articulating wheel loader is powered by a Kubota 66 HP, 4-cylinder, turbo diesel engine. A diesel oxidation catalyst (DOC) and diesel particulate filter (DPF) aid the engine to achieve Stage V emission compliance, the cleanest in the industry! This machine is available in three distinct boom configurations, X-Tra, Z-Bar and Telescoping, all utilizing the standard skid steer quick attach plate (SSQA). The G3500 also comes standard with a 2-speed gearbox, 14-ton Comer axles and electric locking differentials. Planetary final drives deliver torque to the ground achieving an impressive top speed of 18 mph. This machine is available with an open station or heated cab with optional AC, both offering an ergonomic and spacious work environment. Like all GiANT articulating wheel loaders, the G3500 frame is equipped with an oscillation joint, helping to improve ride quality and limit ground pressure. A few of the available options include tire profiles for various terrains, road lights for safe travel, pro-inching and boom suspension. The G3500 has the power and efficiency to comfortably operate in all industries including agriculture, construction, landscaping and snow removal.

GiANT Loaders North America reserves the right to make changes in specification at any time without notice or obligation.

DIMENSIONS

	G3500	G3500 X-Tra	G3500 TELE
A	72.1 in.	72.1 in.	75.2 in.
B	154.7 in.	150.8 in.	162.9 in.
C	180.9 in.	180.9 in.	192 in.
D	21.3 in.	21.3 in.	21.3 in.
E	9.7 in.	9.7 in.	10 in.
F	25.7 in.	25.7 in.	25.7 in.
G	50 in.	50 in.	50 in.
H	91.3 in.	91.3 in.	89.6 in.
I	90 in.	90 in.	88.3 in.
J	67.4 in.	66.1 in.	68.3 in.
K	98.2 in.	72.6 in.	122.1 in.
L	129.6 in.	106.4 in.	169.8 in.
M	149.5 in.	127.7 in.	194.4 in.
N	41°	41°	41°
O	57°	44°	47°
P	43°	47°	40°
Q	30°	30°	30°
R	Ø 37 in.	Ø 37 in.	Ø 33.5 in.
1A	129.2 in.	129.2 in.	129.2 in.
1B	112.6 in.	112.6 in.	112.6 in.
1C	55.1 in.	55.1 in.	55.1 in.
1D	52.8 in.	52.8 in.	52.8 in.



TIPPING LOADS

	G3500	G3500 X-Tra
S	5,070 lbs	8,600 lbs
T	4,630 lbs	6,603 lbs
U	3,902 lbs	5,093 lbs
V	3,197 lbs	3,649 lbs
W	7,297 lbs	9,490 lbs
X	5,269 lbs	6,140 lbs
Y	4,166 lbs	4,354 lbs

G3500 TELE

Tipping load straight position
safety factor 1.67

