



GiANT[®]
BY TOBROCO

G2500 SERIES



COMING SOON

SPECIFICATIONS



MODEL	G2500 HD	G2500 X-Tra HD
ENGINE	26 hp	26 hp
SERVICE WEIGHT	5,291 lbs	5,291 lbs
LIFTING HEIGHT	116.7 in.	98.3 in.
TIPPING LOAD	4,519 lbs	5,732 lbs
WORKING HYDRAULICS	10.5 GPM	10.5 GPM
MAX. SPEED	6.2/12.4 mph	6.2/12.4 mph



Less tire wear and ground damage



Enhanced operator comfort through articulation and oscillation



Universal plate



Higher lift heights and higher tipping loads compared to service weight



Higher travel speeds

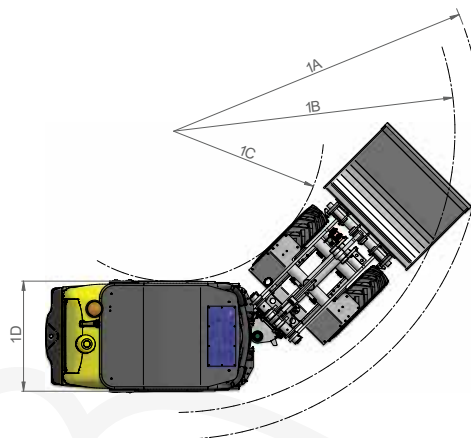


The GiANT G2500 features a 26hp Kubota diesel engine that doesn't require aftertreatment systems for a reliable, low-cost machine to own and operate. The G2500 HD models come standard with a two-speed gearbox and heavy-duty axles for a higher pulling force. In addition, both models of the G2500 can be outfitted with a heated cab, open ROPS, or folding ROPS for easy access through lower doorways. The G2500 has an articulating and oscillating center joint, helping to improve ride quality and reducing ground pressure. This machine is available with a standard or X-Tra boom and fitted with the skid steer quick attach plate (SSQA). With optional traffic lights, LED strobe lighting and various auxiliary options this machine provides you with a formidable compact wheel loader, useful in snow removal, landscaping, tree care, construction and agriculture.

GiANT Loaders North America reserves the right to make changes in specification at any time without notice or obligation.

DIMENSIONS

	G2500 HD	G2500 X-Tra HD
A	64.7 in.	66.7 in.
B	127.8 in.	130.6 in.
C	158.1 in.	160.8 in.
D	21.3 in.	21.3 in.
E	10 in.	10 in.
F	25.7 in.	25.7 in.
G	52.8 in.	52.8 in.
H	91.4 in.	91.4 in.
I	92.3 in.	92.3 in.
J	68.1 in.	58.7 in.
K	84.4 in.	68.3 in.
L	116.7 in.	98.3 in.
M	139.1 in.	120.9 in.
N	43°	42°
O	45°	47°
P	43°	37°
Q	28°	28°
R	Ø 33.5 in.	Ø 33.5 in.
1A	117 in.	119.9 in.
1B	100.8 in.	103.3 in.
1C	57.5 in.	60 in.
1D	42.5 in.	42.5 in.



TIPPING LOADS

	G2500 HD	G2500 X-Tra HD
S	4,519 lbs	5,732 lbs
T	3,483 lbs	4,079 lbs
U	2,425 lbs	2,910 lbs
V	1,874 lbs	2,315 lbs
W	5,567 lbs	5,952 lbs
X	3,660 lbs	3,748 lbs
Y	2,535 lbs	2,756 lbs

GIANT Loaders North America reserves the right to make changes in specification at any time without notice or obligation.

725 Ida Street, Cedar Falls IA 50613, USA P: +1.319.449.3677 Fax: +1.319.449.3738