



**GIANT**<sup>®</sup>  
BY TOBROCO

**SK 212 G**  
**SK 252 D**



### Big performance in a small package

- The hip brackets and, in height-adjustable and suspended, operator platform provides the driver more comfort;
- Larger wheel motors provide more push and pull, better driving characteristics and are also low maintenance;
- The compact dimensions ensure that the machines can operate in small spaces. The operator platform is easy to fold so that the machines are compact to transport;
- The skid steer loaders are a solid investment because of their reliability and maximum usability. The machines have high quality components from well-known brands such as Kubota, Honda, Parker and Hydac.



**SK 212 G**



**SK 252 D**

<b>Engine</b>	21 hp (Honda)	25 hp (Kubota)
<b>Fuel</b>	Gasoline	Diesel
<b>Service weight</b>	1,650 lbs	1,780 lbs.
<b>Lifting height</b>	82,7 in.	82,7 in.
<b>Tipping load</b>	956,8 lbs.	956,8 lbs.
<b>Working hydraulics</b>	9.2 GPM	9.2 GPM
<b>Max. speed</b>	3.7 mp/h	4.3 mp/h



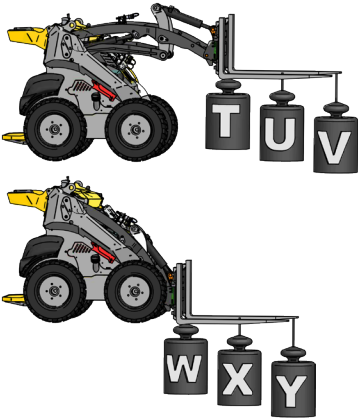
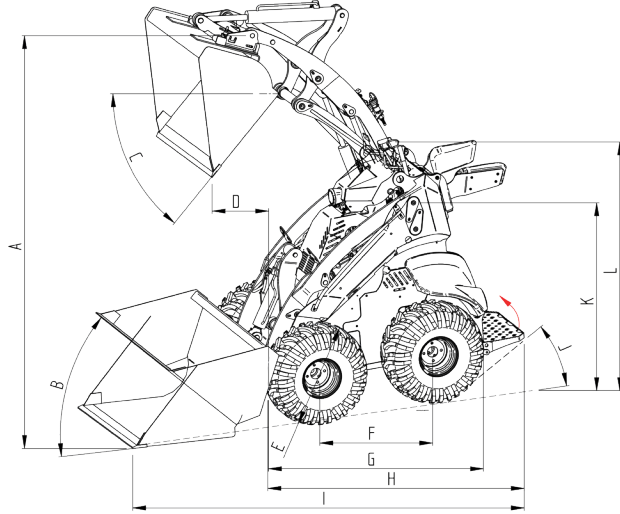
**GIANT**<sup>®</sup>  
BY TOBROCO

 [WWW.TOBROCO-GIANT.US](http://WWW.TOBROCO-GIANT.US)

# TECHNICAL SPECIFICATIONS

## Dimensions

	SK 212 G	SK 252 D
A	82.7 in.	82.7 in.
B	41°	41°
C	39°	39°
D	12.6 in.	12.6 in.
E	max. Ø 33.5 in.	max. Ø 33.5 in.
F	26 in.	26 in.
G	54 in.	54 in.
H	62.2 in.	62.2 in.
I	86.6 in.	86.6 in.
J	max. 20°	max. 20°
K	48.9 in.	48.9 in.
L	53.6 in.	53.6 in.



## Tipping loads

	SK 212 G	SK 252 D
T	981 lbs	981 lbs
U	597 lbs	597 lbs
V	430 lbs	430 lbs
W	2,161 lbs	2,161 lbs
X	957 lbs	957 lbs
Y	615 lbs	615 lbs

TOBROCO-GIANT reserves the right to make changes in specifications at any time without notice or obligation.



**GIANT**<sup>®</sup>  
BY TOBROCO

**TOBROCO-GIANT USA**  
725 Ida Street, Cedar Falls  
IA 50613, USA  
Tel.: +1 319-449-3677  
Fax.: +1 319-449-3738



Internet: [www.tobroco-giant.us](http://www.tobroco-giant.us)  
E-Mail: [info@tobroco-giant.us](mailto:info@tobroco-giant.us)